

## Parlay i60 - Application

### **Parlay i60 ISDN Access Multiplexer with advanced call routing features**

#### **Solutions for Carriers & Service Providers**



Parlay i60 ISDN Access Multiplexer – a miracle in terms of possible applications



- \* Cost efficient ISDN provisioning
- \* Unique routing and access applications
- \* Value added service platform

The Parlay i60 provides cost efficient, highly flexible and very reliable voice/data access and network solutions. It is designed to fulfil almost any wish for voice and data multiplexing and routing.

- \* Splits ISDN PRI into a number of fractional PRI lines
- \* Converts ISDN PRI / E1 into ISDN BRI
- \* Sophisticated call routing options
- \* So far more than 30 different application described
- \* No PBX modifications required

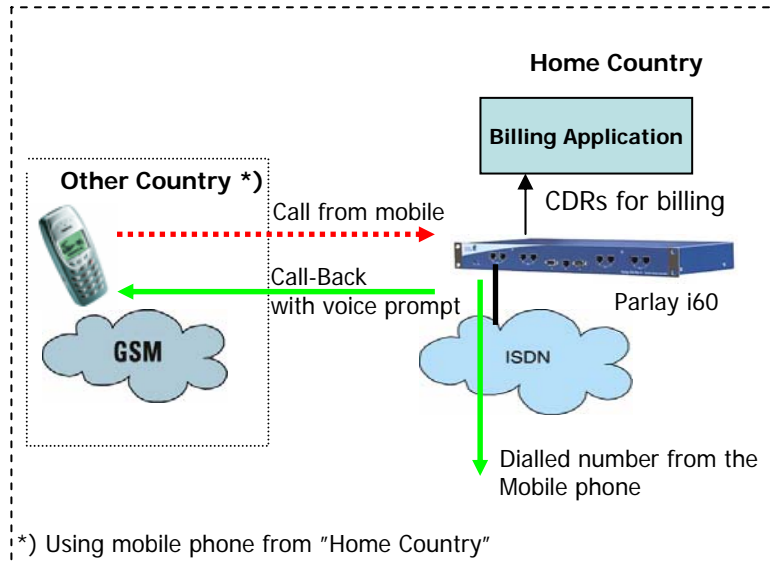


## Parlay i60 - Application

### Mobile Call Charge Saver for Service Providers

Making mobile calls from abroad are very expensive.

Parlay i60 as a Call-Back Node saves money on mobile calls made from abroad.



### Functionality

- User calls the service from abroad
- Parlay i60 analyses the Callers' Calling Line Identity (CLI) without answering the call
- If CLI is known the i60 will Call-Back
- PIN verification if no CLI transferred
- Voice Prompts for user guidance
- Pre-programmed Direct Dial-In numbers: Just dial the DDI number. No additional dialling required
- Rejects calls in case they are not authorised
- Call Detail Records provided to billing system if required

### Benefits

- Save 25- 50 % on mobile roaming charges
- No abuse possible – Only verified callers are allowed
- High call handling capacity
- Easy to use – Easy to add new users
- Easy to integrate with billing applications

### How to use (non DDI):

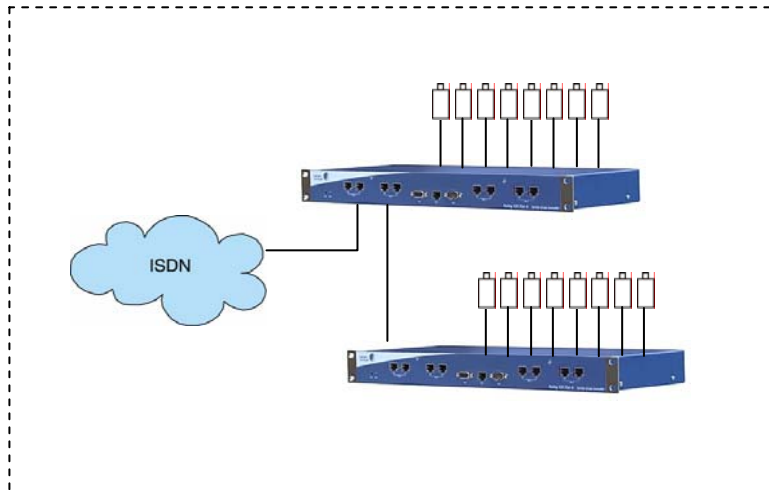
1. Call call-back No. from your mobile
2. Wait for call back – answer - hear voice guidance
3. Dial the home country phone number you want to call.



## Parlay i60 - Application

### Carrier GSM Gateway

Parlay i60 allows Carriers and Service Providers to offer Fixed – to – Mobile services without the need of a GSM license. Parlay i60 distributes calls to 15 GSM Gateway via BRA.



### Functionality

- Connects GSM Gateways with Basic Rate interface to a PRI line
- Routes automatically to the Gateway with proper SIM card
- Performs several attempts on demand
- Saves Call Detail Records and Statistics

### Benefits

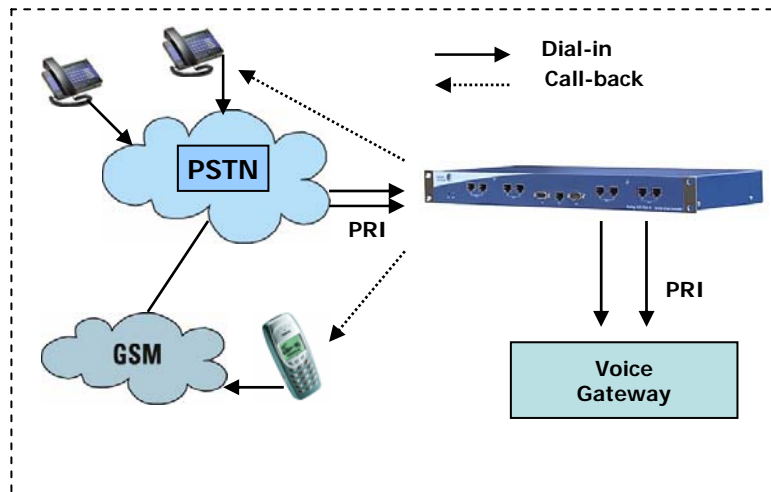
- A new business area for Service Providers
- Easy to connect via a single Primary Rate Access
- Proven concept with GSM from coM.s.a.t.



## Parlay i60 - Application

### No dial-in charges for VoIP

Parlay i60 improves the acceptance of dial-in VoIP services significantly. Customers do not have to pay dial-in charges any more because they will be called back from the Parlay i60.



### Functionality

- Saves the callers' CLI and calls back
- Provides voice prompt: "Please enter the number to be called back" in case of missing CLI
- Calls back to the customer via any carrier using carrier selection code
- Connects customers to the Voice Gateway as soon as they answer the callback call

### Benefits

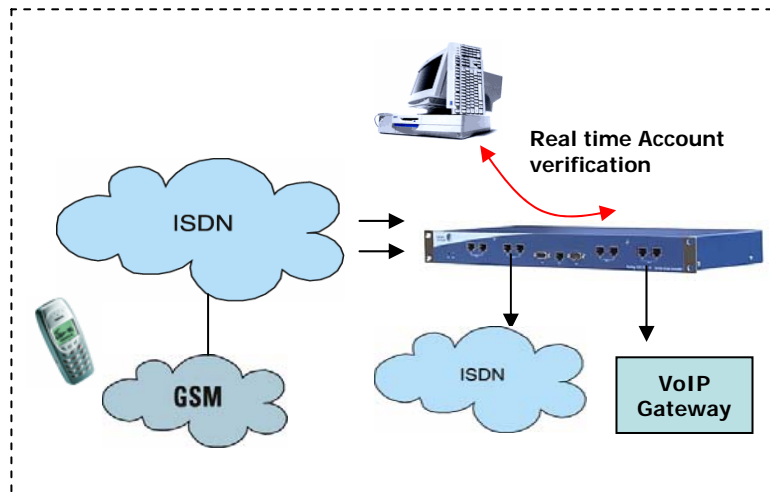
- No dial-in charges when using VoIP services
- No dial-in charges when called party is busy or does not answer
- Very speedy, callback within just 4 seconds
- VoIP operator saves freephone numbers and gains volume discount



# Parlay i60 - Application

## Account Verification

Parlay i60 verifies in real time, whether a caller has permission to use the service of the operator. When authorised, the call is passed. If not, the call is rejected or forwarded to a help desk.



## Functionality

- Analyses the callers' CLI
- Polls the Account Database in real time
- Forwards calls in case they are authorised
- Rejects or re-routes calls in case they are not authorised

## Benefits

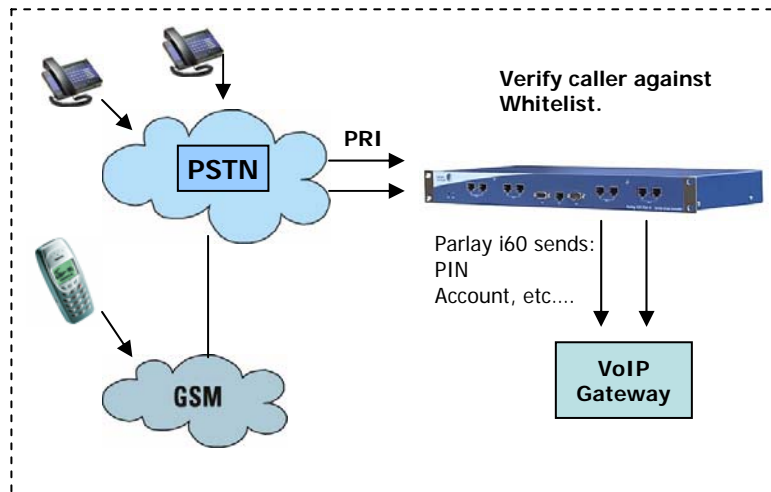
- Very user-friendly access for subscribers
- No abuse possible – Only verified callers are passed
- Very speedy, no delays added
- Just one Database, no need to maintain several tools



## Parlay i60 - Application

### Caller Authentication

Parlay i60 enables VoIP carrier to improve their service level significantly. Instead of a four stage call setup procedure, subscribers just have to call the VoIP provider and enter the international Direct Dial – IDD – Number.



### Functionality

- Handles 60 calls simultaneously
- Analyses the callers' CLI
- White-list stores thousands of CLI
- Provides both PIN and account code to the VoIP Gateway
- Passes the IDD transparently

### Benefits

- Simple access procedure for subscribers
- No abuse possible – only verified callers are passed
- Very speedy, no delays added
- Increased customer satisfaction – increased service use

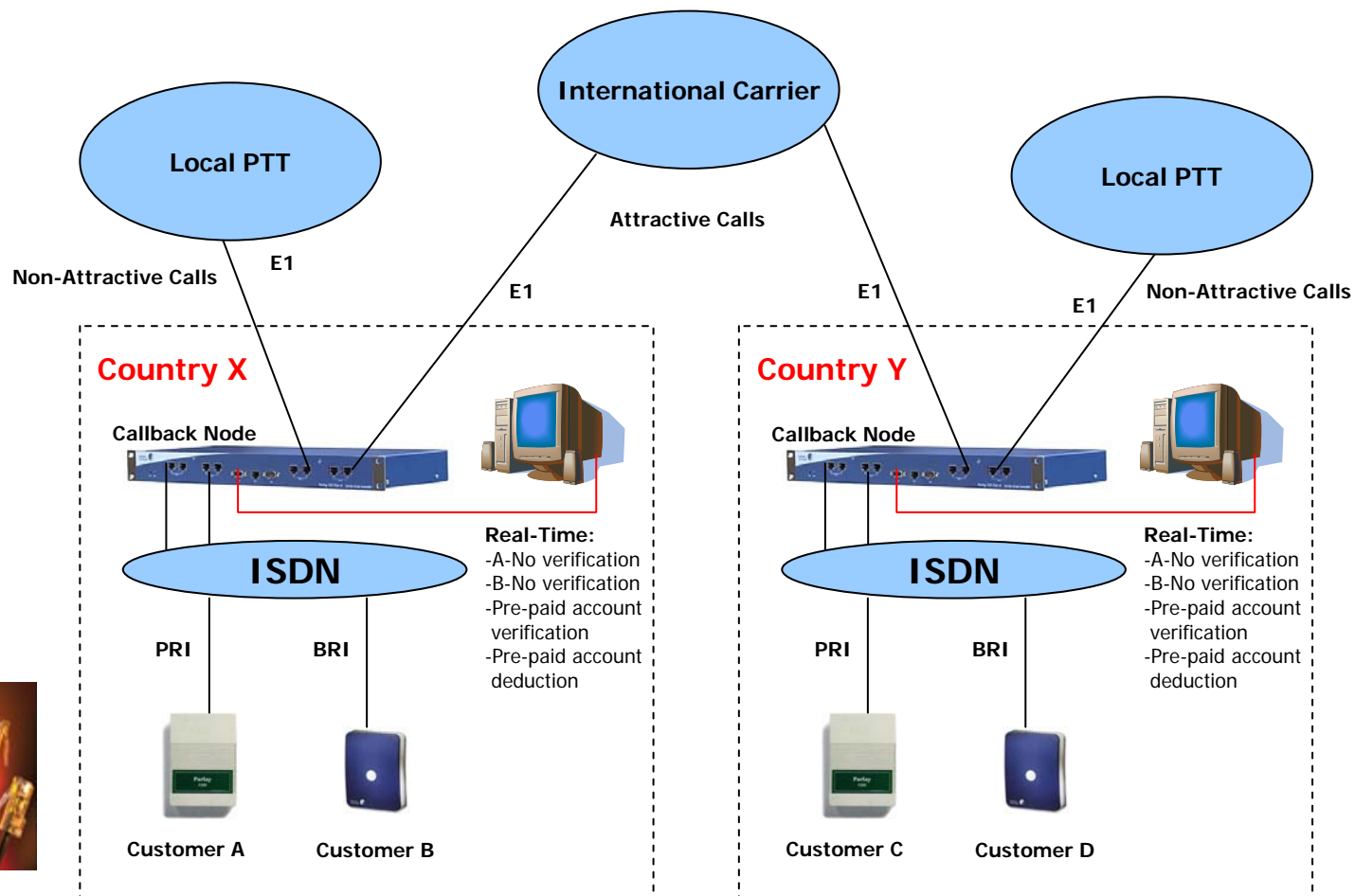


## Parlay i60 - Application



### Call-Back Node and Account Verification

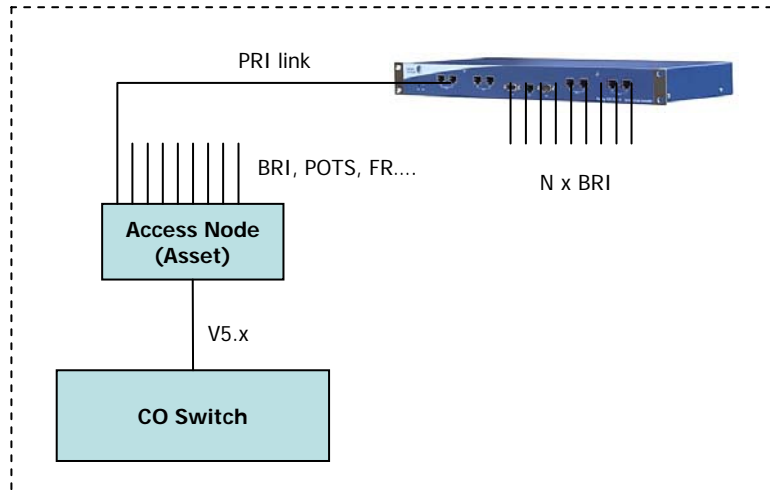
Parlay i60 will provide Voice Responses.



# Parlay i60 - Application

## Asset Extender

Parlay i60 multiplexes ISDN BRI onto a single E1 link. At the terminating end, the E1 link is demultiplexed again onto ISDN BRI



## Functionality

- Transparent forwards BRI via a PRI link
- Runs Point-Point and Point-Multipoint

## Benefits

- A single E1link, much cheaper than multiple BRI
- Overcomes the reach limitations of BRI
- Saves additional V5 interfaces in the CO switch



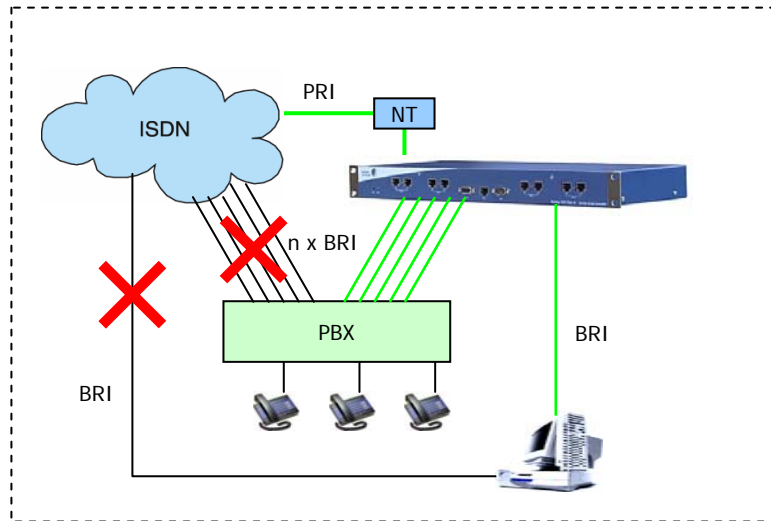


## Parlay i60 - Application

### ISDN Basic Rate to Primary Rate Conversion

Parlay i60 connects any kind of ISDN BRI terminal equipment onto a single PRI access line

Possible when: 1) No. transfer from BRI to PRI 2) Cost efficient fractional PRI



#### Functionality

- Converts ISDN PRI line into ISDN BRI interfaces
- Routes incoming calls by Called Party Number
- Supports AOC to the PBX
- Dynamic B-channel assignment
- Remote Maintenance

#### Benefits

- Saves monthly BRI line subscription fees
- No modification or replacement of PBX or other ISDN equipment required
- Platform for Value Added Services

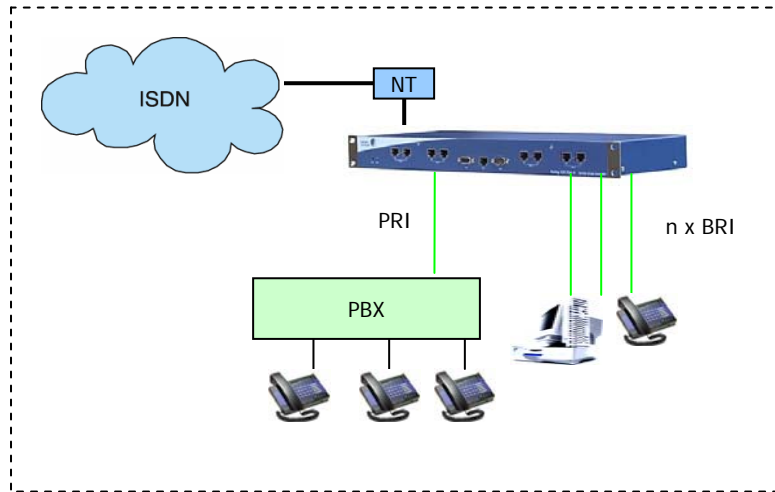


## Parlay i60 - Application



### Intelligent Termination

Parlay i60 connects any kind of ISDN terminal equipment onto a single PRI/E1 access line



### Benefits

- Saves monthly line subscription fees
- Adds advanced routing for further savings and features
- Creates a corporate numbering plan
- Allows free-of-charge internal calls

### Functionality

- Routes incoming calls by
  - Called Party Number
  - Calling Party Number
  - Bearer Service
  - Etc.....
- Presents individual Calling Party Numbers to the carrier's node
- Supports AOC to the PBX
- Dynamic B-channel assignment
- Supports Point-Point and Point-Multipoint terminals

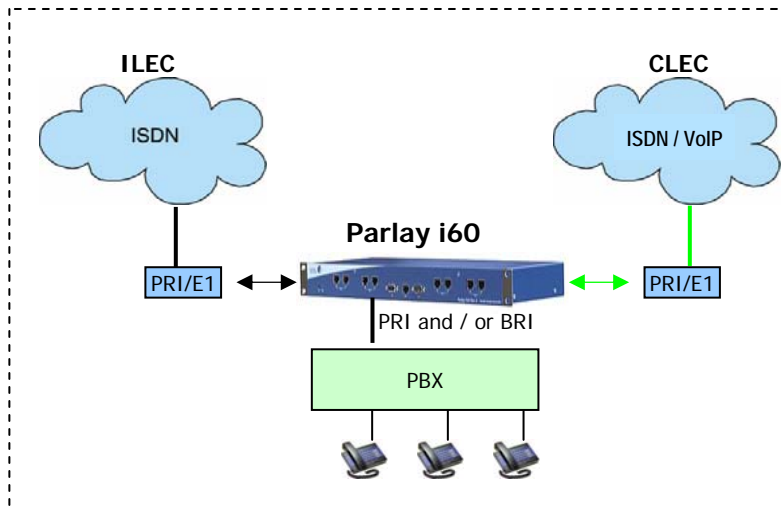


## Parlay i60 - Application

### Dual Direct E1 Access

Parlay i60 multiplexes two different network access lines onto a single PRI interface (and / or multiple BRI ).

One line is used for incoming traffic, the other for outgoing traffic.



### Functionality

- Routes attractive outgoing calls to the competitive carrier (CLEC)
- Keeps the well-known telephone number for incoming calls via the incumbent carrier (ILEC)
- Automatic overflow of outgoing calls ILEC line if required
- Generates billing information (AOC) to the PBX
- Relay bridging from NT to PBX in case of power drops

### Benefits

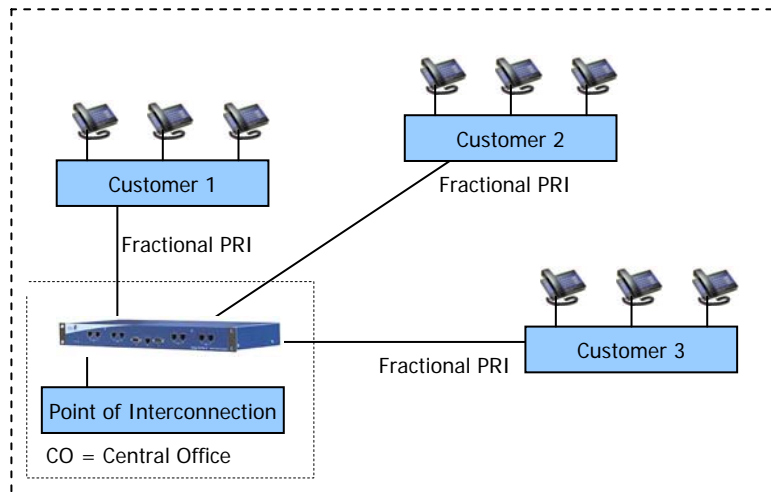
- Direct CLEC access even if Number Portability is not available
- Cheaper and smoother than a PBX upgrade
- No delay in CLEC services due to missing number portability
- Integration of ISDN BRI equipment



## Parlay i60 - Application

### Interconnection Point

Parlay i60 splits a PRI line into three independent fractional PRI – at the point of interconnection.



### Functionality

- Assigns fixed channels, e.g. 10 per Customer  
OR
- Selects any of e.g. 10 channels on a PRI link
- Distributes incoming calls individually
- Supports billing by Calling Party Number or by B-channel.

### Benefits

- Saves high interconnection fees
- Gives competitive access even to minor Customers
- Terminates any E1 link, e.g. Wireless Local Loop, DSL .....
- Allows free-of-charge calls between the Customers

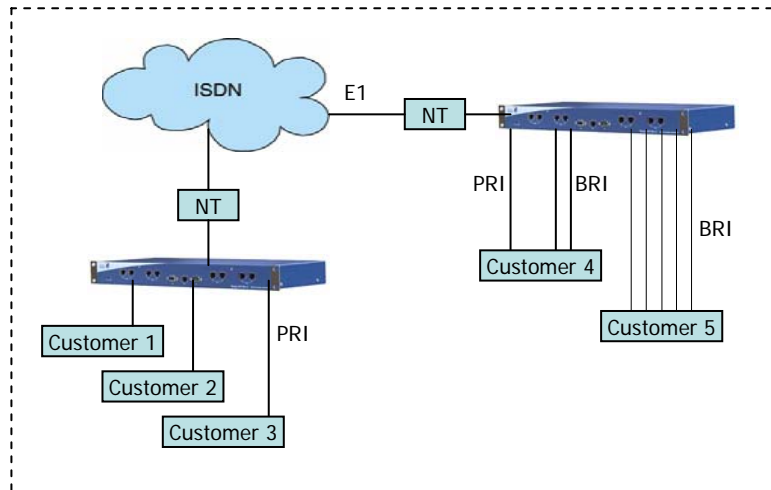


## Parlay i60 - Application



### Shared E1/PRI Access

Parlay i60 enables carriers to connect multiple customers via a single E1 line. Each Customer has access to fractional ISDN PRI and/or to multiple BRI lines.



### Benefits

- Reduces SME access costs
- Collects both PRI and BRI traffic
- Easy to integrate with billing system
- Makes it profitable to serve small business customers

### Functionality

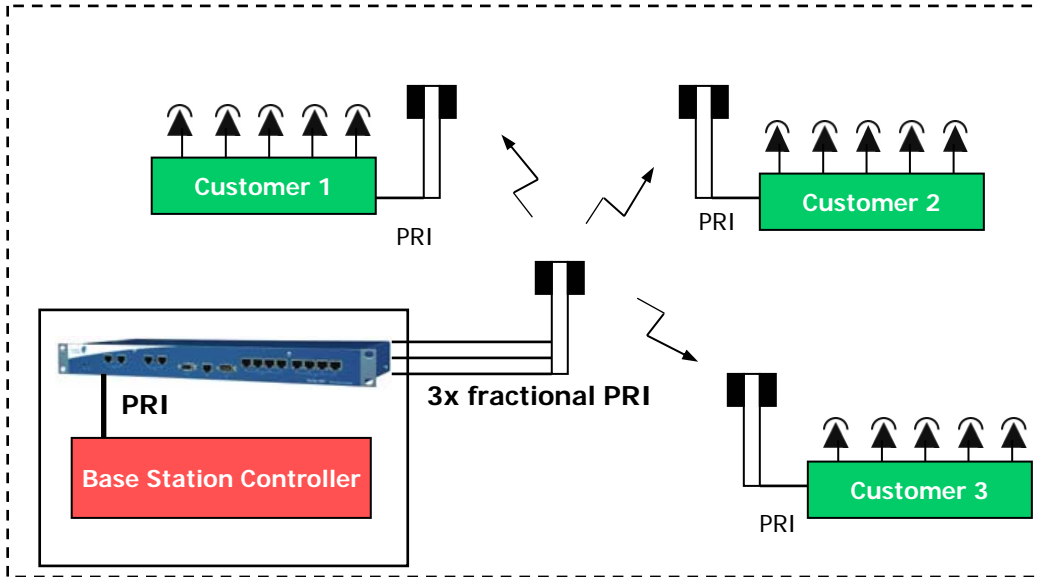
- Breaks E1 into fractional PRI and / or multiple BRI
- Assigns groups of B-channels to customers. Each group may keep B-channels from both PRI and BRI simultaneously
- Routes voice and data independently
- Adds and modifies the Calling Party No.
- Requests B-channels from the carrier's switch dynamically



## Parlay i60 - Application

### Wireless Local Loop – Base Station Optimiser

Parlay i60 distributes the 30 channels of an ISDN PRI at the Base Station Controller onto three fractional PRI links to the Base Station Transceivers



### Functionality

- Assigns fixed channels (e.g. 11-20) per customer, or
- Selects any of e.g. 10 channels on the PRI link
- Any number of B-channels per fractional PRI (15,10,10) with over-subscription
- Distributes incoming calls individually
- Supports billing by Calling Party Number or by B- channel

### Benefits

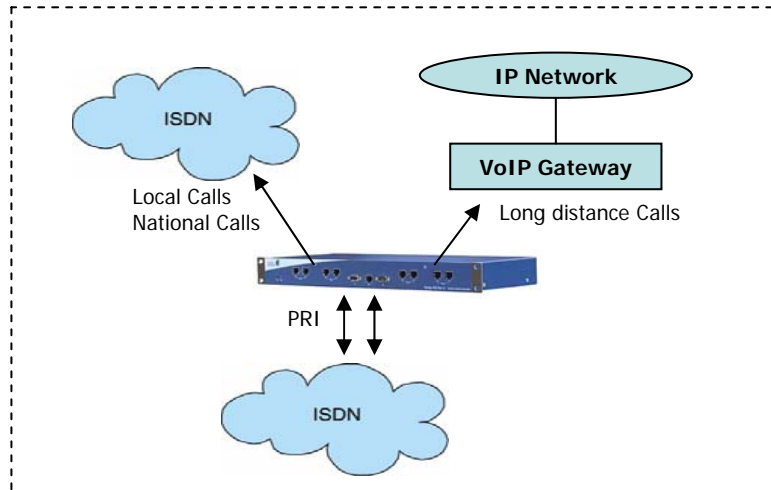
- Saves investment into Base Stations
- Competitive access even to minor customers
- Cost optimised and very flexible B-channel allocation
- Easy to integrate with Billing System



## Parlay i60 - Application

### Traffic Engineering

Parlay i60 provides a filtering function. It analyses incoming calls and forwards them to different interfaces. Depending on filter settings, calls are forwarded unchanged or modified according to customer requirements.



### Functionality

- Programmable filter settings
  - Called number
  - Calling number
  - Service, etc.....
- Provides Call statistics and Call Detail Records
- Re-routing in case of error, congestion...

### Benefits

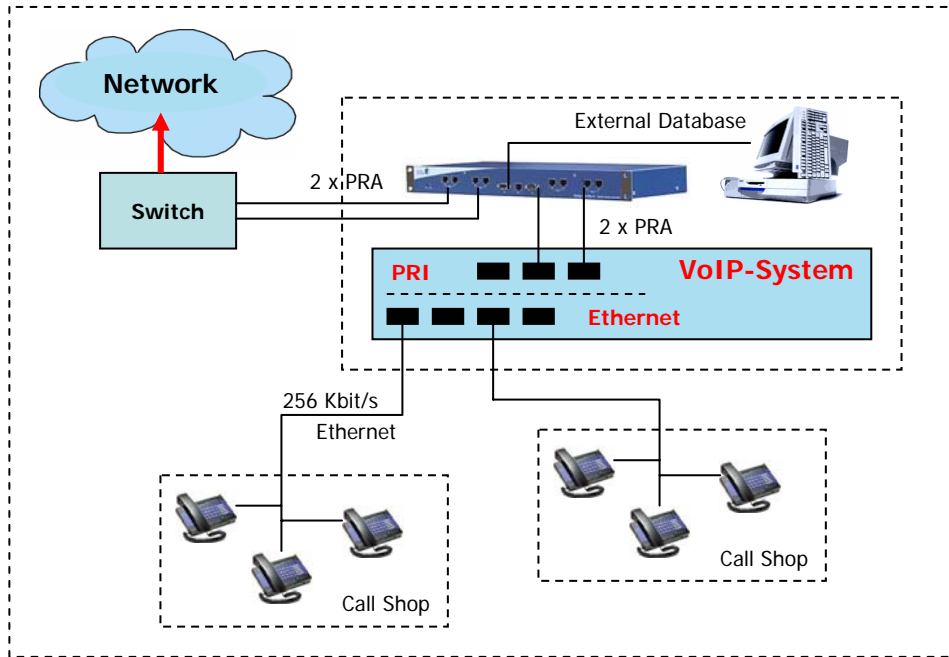
- Supports BRI and PRI links
- Easy setup, easy programming
- Very flexible, just use it as a traffic analyser !



## Parlay i60 - Application

### IP Call Shop

The Call Shops use IP phones connected to a centralised VoIP system. Parlay i60 serves as Authentication, Authorization and Accounting (AAA) gateway between the VoIP system and the carriers' switches.



### Functionality

- Supervises the traffic on the link to the carriers' switches
- Does real-time account and user verification
- Adds Least Cost Routing features
- Call barring: blocks calls to certain destinations

### Benefits

- No initial investment at the Call Shop
- Pay as you grow, just add another IP phone at the Call Shop
- Centralised service, centralised maintenance, centralised control
- No billing system in Call Shop, all data is available on-line

